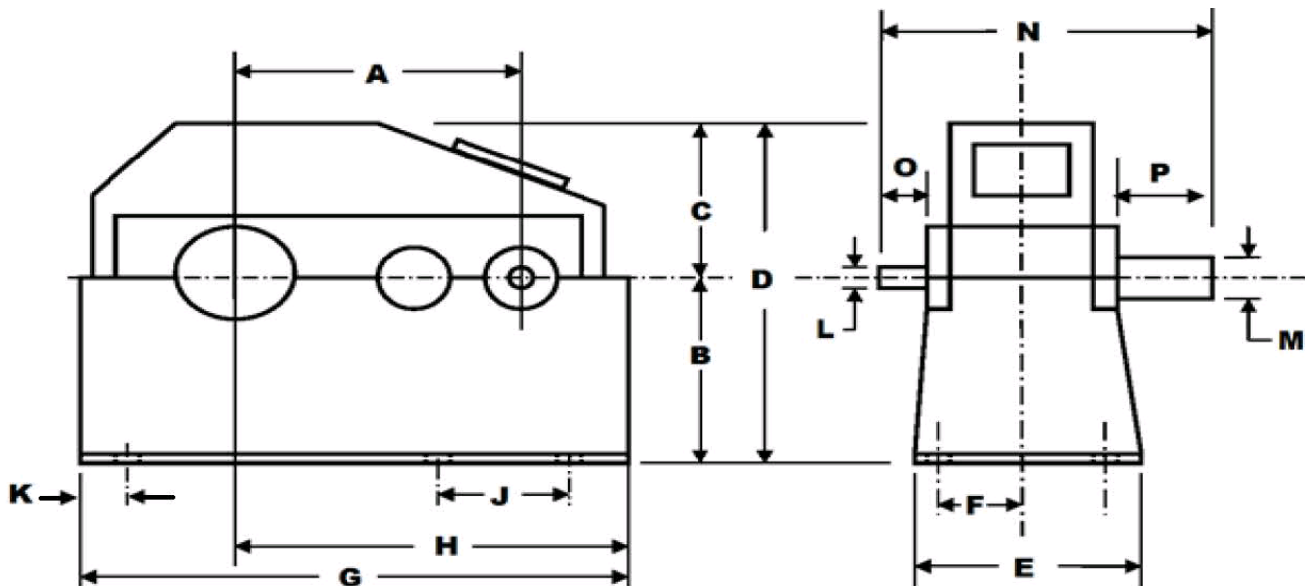


200 HP (268 KW) D.O. JAMES SH-323XC GEAR REDUCER / SPEED REDUCER / GEARBOX

MANUFACTURER: D.O. JAMES
 MODEL NO.: SH-323XC
 SERIAL NO.: 237098
 HP RATING: 200
 INPUT RPM: 420
 RATIO: 56.5:1
 REDUCTION: QUADRUPLE
 SERVICE FACTOR: 1.5
 TYPE: PARALLEL
 GEAR TYPE: HELICAL
 BEARING TYPE: ROLLER
 WEIGHT: 22,500 LBS.

(268 KW)

(10,208 KG)



A=51"	E=41"	J=20"	N=85"
B=33.5"	F=17.5"	K=8.5"	O=7.75"
C=32.5"	G=102"	L=5"	P=19"
D=66"	H=66"	M=10.75"	

INVENTORY ID: 200597-000-00

CASEYUSA®

Revised 5/10/19

Page 1 of 1

CASEY

275 Kappa Drive, Pittsburgh, PA 15238

Ph: (800) 882-7000 • (412) 963-1111

Fax: (412) 963-0378

E-mail: mechanicalsales@caseyusa.com

Web: www.caseyusa.com