

71 HP (53 KW) HORSBURGH & SCOTT LD4400 GEAR REDUCER / SPEED REDUCER / GEARBOX

MANUFACTURER: HORSBURGH & SCOTT

MODEL NO.: LD4400

SERIAL NO.: K-5853

HP RATING: 71

(53 KW)

INPUT RPM: 575

RATIO: 41.2:1

REDUCTION: DOUBLE

SERVICE FACTOR: 1.0

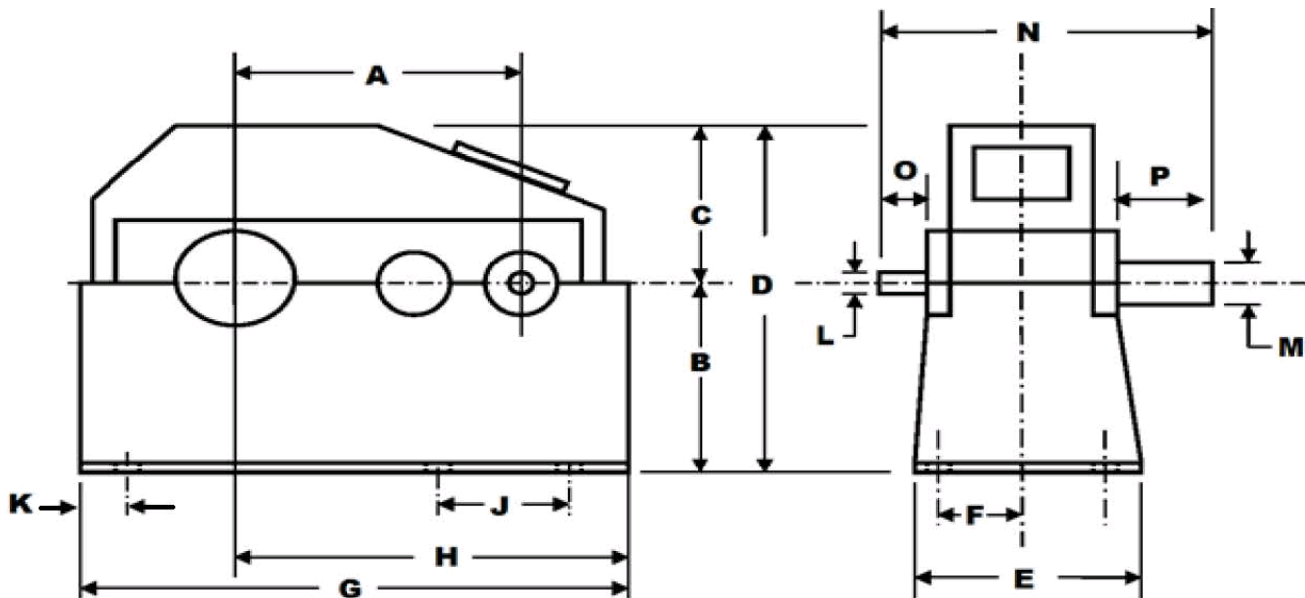
TYPE: PARALLEL

GEAR TYPE: HELICAL

BEARING TYPE: ROLLER

WEIGHT: 8,685 LBS.

(3940 KG)



A=35"

E=31"

J=61"

N=57.5"

B=26"

F=13"

K=3"

O=8"

C=23.5"

G=67"

L=3"

P=12"

D=49.5"

H=42"

M=7.5"

INVENTORY ID: 200596-000-00

CASEYUSA®

Revised 5/10/19

Page 1 of 1

CASEY

275 Kappa Drive, Pittsburgh, PA 15238

Ph: (800) 882-7000 • (412) 963-1111

Fax: (412) 963-0378

E-mail: mechanicalsales@caseyusa.com

Web: www.caseyusa.com