

# 200 HP (150 KW) PITTSBURGH GEAR 350XB2-1L USED RIGHT ANGLE GEAR REDUCER

MANUFACTURER: PITTSBURGH GEAR

AGE: 1987

MODEL NO.: 350XB2-1L (FESSLER STYLE)

HP RATING: 200

(150 KW)

INPUT RPM: 1030

RATIO: 5.75

REDUCTION: DOUBLE

SERVICE FACTOR: 1.0

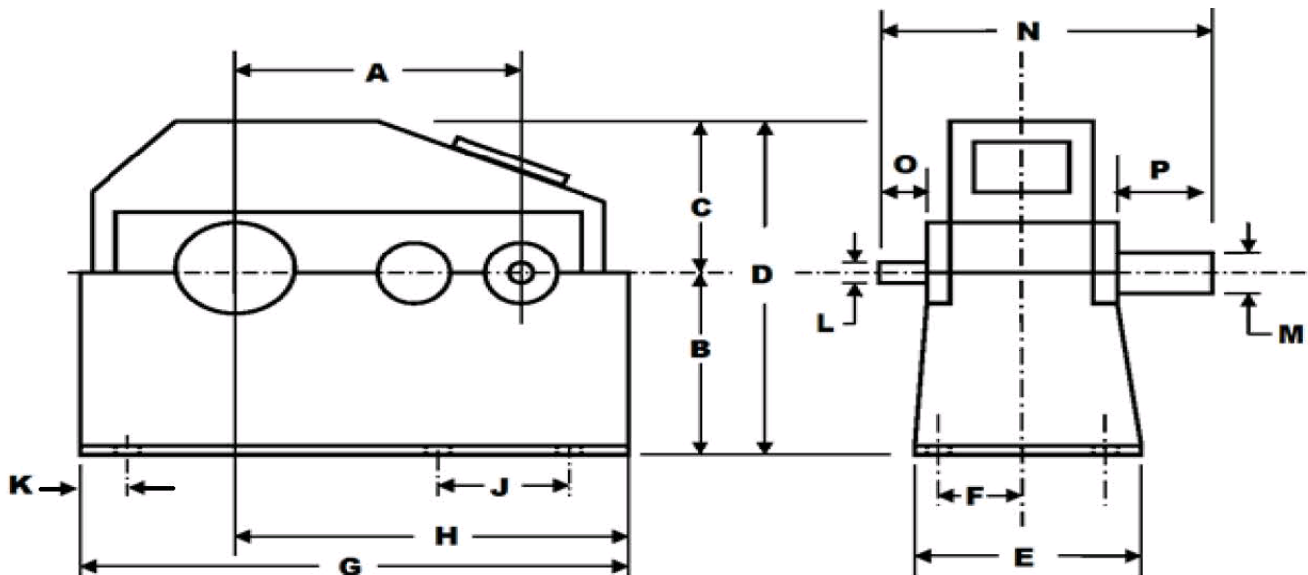
TYPE: RIGHTANGLE

GEAR TYPE: BEVEL HELICAL

BEARING TYPE: ROLLER

WEIGHT: 2660 LBS.

(1210 KG)



A=N/A	E=23.25"	J=14.62"	N=31.87"
B=15.5"	F=10.25"	K=2"	O=10"
C=13.75"	G=34.75"	L=3.75"	P=8.62"
D=29.25"	H=22.25"	M=5.75"	

INVENTORY ID: 200569-000-00

**CASEYUSA®**

Revised 3/28/19

Page 1 of 1

**CASEY**

275 Kappa Drive, Pittsburgh, PA 15238

Ph: (800) 882-7000 • (412) 963-1111

Fax: (412) 963-0378

E-mail: [mechanicalsales@caseyusa.com](mailto:mechanicalsales@caseyusa.com)

Web: [www.caseyusa.com](http://www.caseyusa.com)