

252 HP (187 KW) FESSLER 350XB2-S USED RIGHT ANGLE GEAR REDUCER

MANUFACTURER: FESSLER

AGE: 1987

MODEL NO.: 350XB2-S

SERIAL NO.: H-804-1

HP RATING: 252

(187 KW)

INPUT RPM: 515

RATIO: 5.76:1

REDUCTION: DOUBLE

SERVICE FACTOR: 1.0

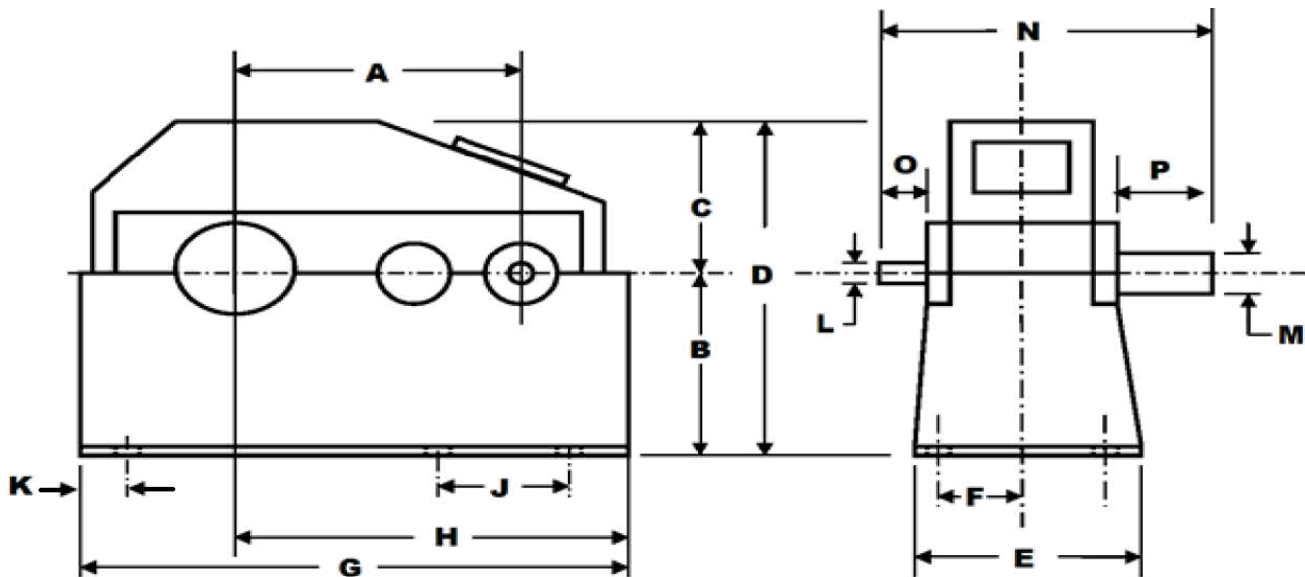
TYPE: RIGHTANGLE

GEAR TYPE: BEVEL HELICAL

BEARING TYPE: ROLLER

WEIGHT: 3,360 LBS.

(1525 KG)



A=N/A

E=23"

J=14.5"

N=32"

B=15.5"

F=10.25"

K=2.5"

O=6.75"

C=14"

G=56"

L=3.75"

P=9.75"

D=29.5"

H=19.5"

M=5.75"

INVENTORY ID: 200568-000-00

CASEYUSA®

Revised 1/29/20

Page 1 of 1

CASEY

275 Kappa Drive, Pittsburgh, PA 15238

Ph: (800) 882-7000 • (412) 963-1111

Fax: (412) 963-0378

E-mail: mechanicalsales@caseyusa.com

Web: www.caseyusa.com