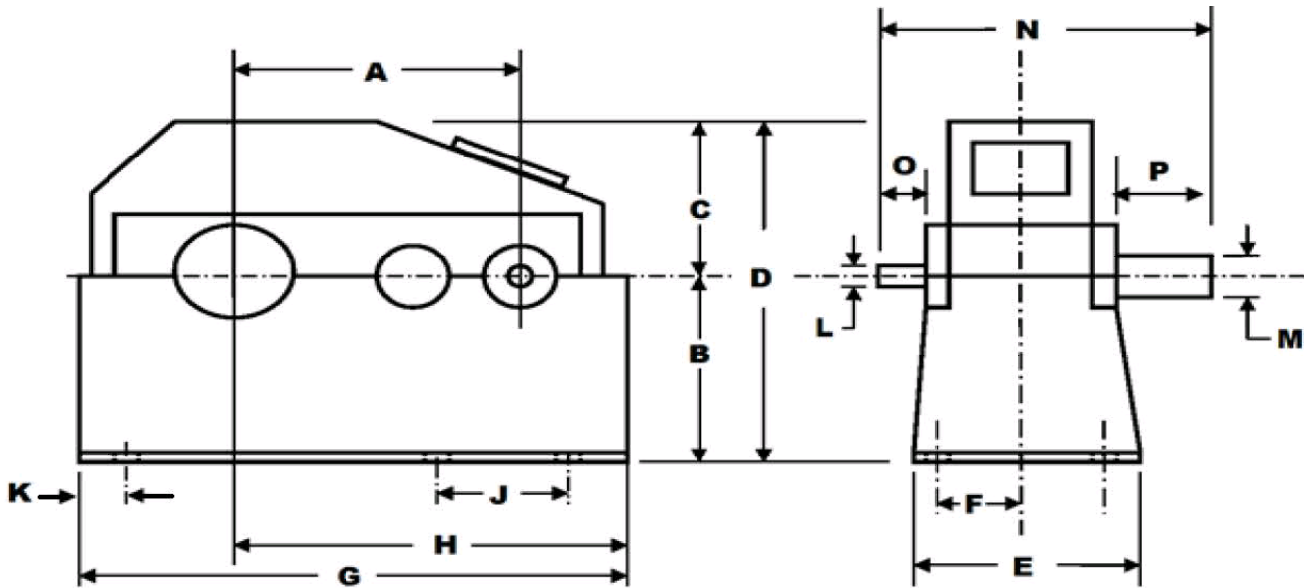


# 600 HP (445 KW) BRAD FOOTE GEAR WORKS USED GEAR REDUCER / SPEED REDUCER / GEARBOX

MANUFACTURER: BRAD FOOTE  
 AGE: 2001  
 MODEL NO.: 2PH1300-25  
 SERIAL NO.: 3505  
 HP RATING: 600  
 INPUT RPM: 780-1150  
 RATIO: 1.82 / 3.64  
 REDUCTION: DOUBLE  
 SERVICE FACTOR: 1.75  
 TYPE: RIGHTANGLE  
 GEAR TYPE: HELICAL  
 BEARING TYPE: ROLLER  
 WEIGHT: 4740 LBS.

(445 KW)

(2151 KG)



A=	E=28"	J=15.25"	N=37.87"
B=18.25"	F=12.75"	K=1.75"	O=5"
C=14.50"	G=34"	L=3.750"	P=7.25"
D=32.75"	H=24.75"	M=5.50"	

INVENTORY ID: 200023-001-00

**CASEYUSA®**

Revised 6/29/21

Page 1 of 1

**CASEY**

275 Kappa Drive, Pittsburgh, PA 15238

Ph: (800) 882-7000 • (412) 963-1111

Fax: (412) 963-0378

E-mail: [mechanicalsales@caseyusa.com](mailto:mechanicalsales@caseyusa.com)

Web: [www.caseyusa.com](http://www.caseyusa.com)