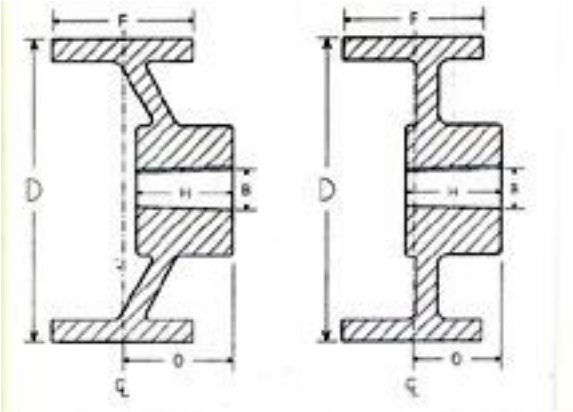


# 10" BRAKE WHEEL

DIAMETER	10
AISE	NO
OFFSET	NONSTANDARD
MOTOR BORE	
FACE WIDTH "F"	3 3/4"
HUB OFFSET "O"	3 1/2"
HUB LENGTH "H"	3 9/16"
BORE DIAMETER "B"	2"
BORE TAPER PER FOOT	
KEYWAY WIDTH "S"	1/2"
KEYWAY DEPTH "T"	1/4"



INVENTORY ID: 117553-000-00