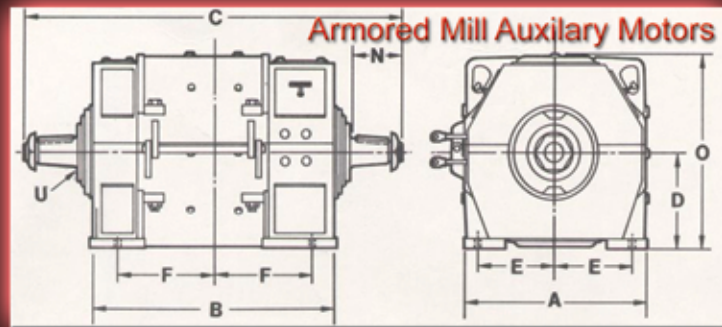
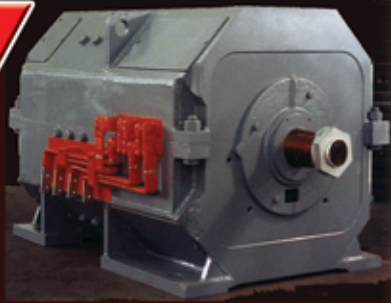


# CASEY

Used Mill Equipment  
We Sell Motors and Brakes  
www.caseyusa.com  
(412) 963-1111



## MILL MOTOR RATINGS & DIMENSIONS

### 800 FRAME MOTORS

#### HORSEPOWER RATINGS

FRAME	60 MIN. 75°C RISE				30 MIN. 75°C RISE		
	H.P.	SERIES	RPM		H.P.	SERIES	COMP.
			COMP. OR SHUNT	ADJ. SPEED			
802A	5	900	1025	1025/2050	6.5	750	925
802B	7.5	800	900	900/1800	10.0	675	775
802C	10	800	900	900/1800	13.5	675	775
803	15	725	800	800/2000	19	620	725
804	20	650	725	725/1800	26	580	650
806	30	575	650	650/1950	39	500	600
808	50	525	575	575/1725	65	450	525
810	70	500	550	550/1650	90	440	500
812	100	475	515	515/1300	135	420	475
814	150	460	500	500/1250	200	400	460
816	200	450	480	480/1200	265	400	450
818	250	410	435	435/1100	325	360	400

### 800 FRAME MOTORS

#### DIMENSIONS (See Illustration)

FRAME	A	B	C	D	E	F	N	O	U
802A	15	20 1/2	32 7/8	7 5/8	6 1/4	8 1/4	4 7/16	15 9/16	1 3/4
802B	15	20 1/2	32 7/8	7 5/8	6 1/4	8 1/4	4 7/16	15 9/16	1 3/4
802C	15	20 1/2	32 7/8	7 5/8	6 1/4	8 1/4	4 7/16	15 9/16	1 3/4
803	17	23 1/2	37	8 1/2	7	9	5	17 5/16	2
804	18	25 1/2	39	9	7 1/2	9 1/2	5	18 5/16	2
806	20	27 1/2	42 1/4	10	8 1/4	10 1/2	5 5/8	20 5/16	2 1/2
808	22 3/4	31 1/4	47 1/2	11 1/4	9 3/8	12 3/8	6 1/4	22 15/16	3
810	24 1/2	32 1/2	50 1/4	12 1/4	10 1/4	13	6 3/8	24 15/16	3 1/4
812	27	36	55	13 3/8	11 1/4	14 1/4	7	27 3/16	3 5/8
814	30	41 1/2	60 3/4	14 3/4	12 1/2	16	7 1/8	29 15/16	4 1/4
816	32 1/2	46 3/4	67 1/2	16	13 1/2	17 1/2	7 3/4	32 7/16	4 5/8
818	36	49 3/4	70 5/8	17 3/4	15	19 1/2	7 13/16	35 15/16	5

### 600 FRAME MOTORS

#### HORSEPOWER RATINGS

FRAME	60 MIN. 75°C RISE				30 MIN. 75°C RISE		
	H.P.	SERIES	RPM		H.P.	SERIES	COMP.
			COMP. OR SHUNT	ADJ. SPEED			
602	7.5	800	900	900/1800	10	675	775
603	10	725	800	800/2000	13.5	620	700
604	15	650	725	725/1800	19	560	650
606	25	575	650	650/1950	33	515	600
608	35	525	575	575/1725	45	470	525
610	50	500	550	550/1650	65	445	500
612	75	475	515	515/1300	100	430	475
614	100	460	485	485/1200	135	400	450
616	150	450	460	460/1150	200	400	430
618	200	410	420	420/1050	265	385	390
620	275	370	390	390/975	360	340	360
622	375	340	360	360/1080	500	310	325
624	500	320	340	340/1020	650	290	300

### 600 FRAME MOTORS

#### DIMENSIONS (See Illustration)

FRAME	A	B	C	D	E	F	N	O	U
602	15	19	32 7/8	7 5/8	6 1/4	8 1/4	4 7/16	15 13/16	1 3/4
603	17	21	37	8 1/2	7	9	5	17 3/8	2
604	18	22	39	9	7 1/2	9 1/2	5	18 15/16	2
606	20	24 1/2	42 1/4	10	8 1/4	10 1/2	5 5/8	20 3/8	2 1/2
608	22 3/4	28 1/2	47 1/2	11 1/4	9 3/8	12 3/8	6 1/4	22 13/16	3
610	24 1/2	30 1/2	50 1/4	12 1/4	10 1/4	13	6 3/8	24 13/16	3 1/4
612	27	33	55	13 3/8	11 1/4	14 1/4	7	27 1/4	3 5/8
614	30	37 1/2	60 3/4	14 3/4	12 1/2	16	7 1/8	30 1/16	4 1/4
616	32 1/2	41	67 1/2	16	13 1/2	17 1/2	7 3/4	32 1/2	4 5/8
618	36	45 1/2	70 5/8	17 3/4	15	19 1/2	7 13/16	36 1/16	5
620	41 1/2	52	78	20 7/8	18	22	9	42	5 7/8
622	45 1/2	62	86 1/4	23	20	25 3/4	10 1/8	46 1/2	6 1/4
624	47 1/2	68	96 1/4	24	21	28	12 1/8	48 1/2	7

### 400 FRAME MOTORS

#### HORSEPOWER RATINGS

FRAME	60 MIN. 75°C RISE				30 MIN. 75°C RISE		
	H.P.	SERIES	RPM		H.P.	SERIES	COMP.
			COMP. OR SHUNT	ADJ. SPEED			
402	5	900	1025	1025/2050	6.5	750	925
403	7.5	800	900	900/1800	10	650	775
404	10	725	800	800/2000	13.5	610	700
406	15	650	725	725/1800	19	560	650
408	25	575	650	650/1950	33	500	625
410	35	525	575	575/1725	45	460	525
412	50	500	550	550/1650	65	440	500
414	75	475	515	515/1300	100	420	475
416	100	460	485	485/1200	135	410	440
418	150	450	460	460/1150	200	400	430
420	200	410	410	410/1025	265	350	375

### 400 FRAME MOTORS - FORM AE2

#### DIMENSIONS (See Illustration)

FRAME	A	B	C	D	E	F	N	O	U
402	15	19	32 7/8	7 5/8	6 1/4	8 1/4	4 7/16	14 3/4	1 3/4
403	17	21	37	8 1/2	7	9	5	16 3/8	2
404	18	22	39	9	7 1/2	9 1/2	5	17 1/4	2
406	20	24 1/2	42 1/4	10	8 1/4	10 1/2	5 5/8	19 9/16	2 1/2
408	22 3/4	28 1/2	47 1/2	11 1/4	9 3/8	12 3/8	6 1/4	21 3/4	3
410	24 1/2	30 1/2	50 1/4	12 1/4	10 1/4	13	6 3/8	23 7/8	3 1/4
412	27	33	55	13 3/8	11 1/4	14 1/4	7	25 7/8	3 5/8
414	30	37 1/2	60 3/4	14 3/4	12 1/2	16	7 1/8	29 9/16	4 1/4
416	32 1/2	41	67 1/2	16	13 1/2	17 1/2	7 3/4	31 15/16	4 5/8
418	36	45 1/2	70 5/8	17 3/4	15	19 1/2	7 13/16	35 9/16	5
420	40 1/2	46 1/2	74 3/4	20 1/4	17	19 3/4	9 1/8	41 3/8	5 7/8

### 400 FRAME MOTORS - FORM AE

403	17	21	39	8 1/2	7	9	5	16 3/8	2
404	18	22	41	9	7 1/2	9 1/2	5	17 1/4	2
406	20	24 1/2	45 1/4	10	8 1/4	10 1/2	5 5/8	19 1/4	2 1/2
408	22 3/4	28 1/2	51 1/2	11 1/4	9 3/8	12 3/8	6 1/4	21 5/8	3
410	24 1/2	30 1/2	55 1/4	12 1/4	10 1/4	13	6 3/8	23 5/8	3 1/4
412	27	33	61	13 3/8	11 1/4	14 1/4	7	25 7/8	3 5/8
414	30	37 1/2	66 3/4	14 3/4	12 1/2	16	7 1/8	29 9/16	4 1/4

HELPFUL TIPS FROM CASEY (#1)

www.caseyusa.com

CASEYUSA®